

JVC

SERVICE MANUAL

AV SELECTOR

JX-S777

Supplement

Serial No. xxx02001 ~

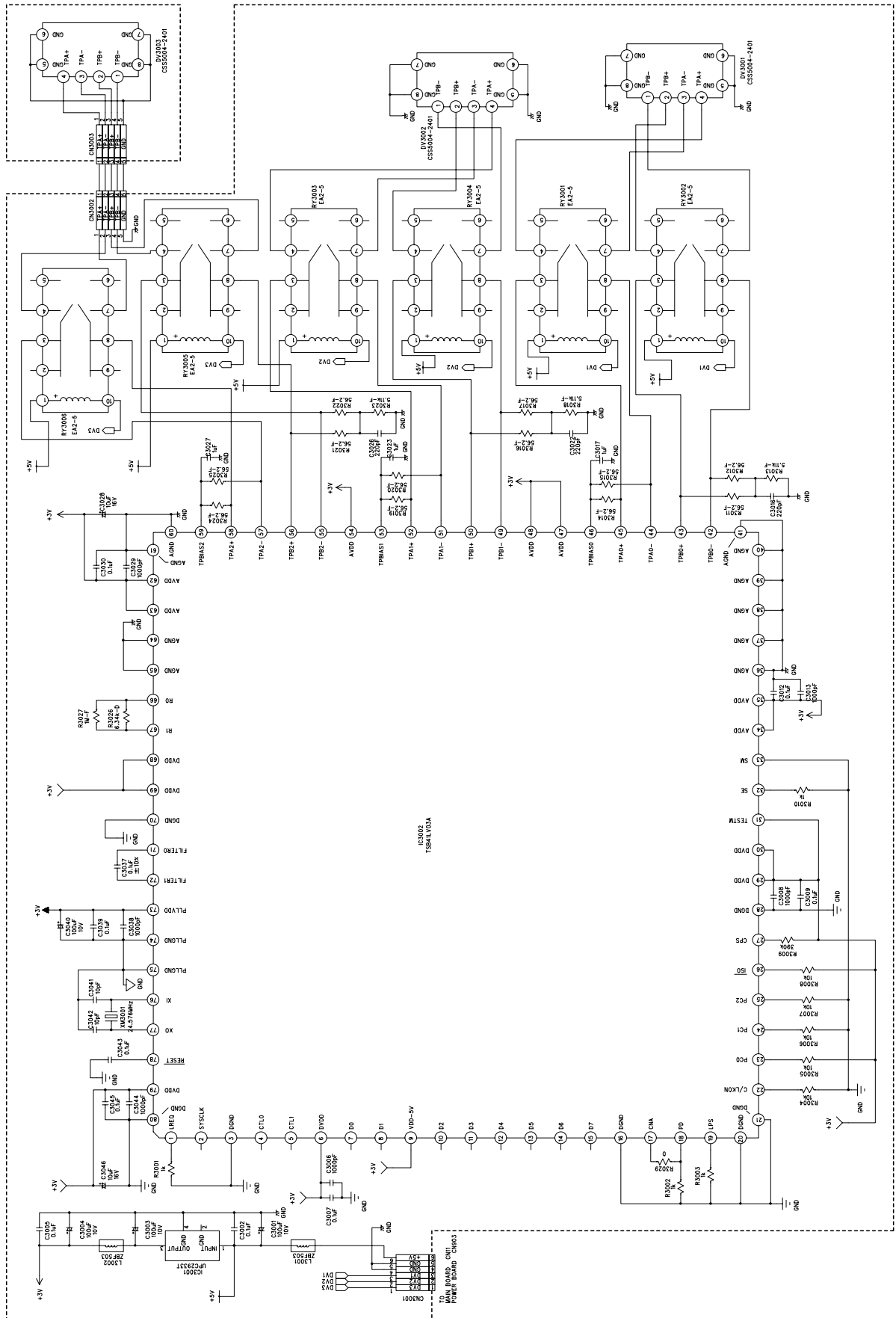
Both the circuit layout and the board for the DV section of the AV Selector JX-S777 have been modified for units with the serial No. XXX02001 and higher.

This service manual only describes those sections for which these modifications have been applied. For information regarding sections other than these, please refer to the service manual No. 70237.

Design and specifications are subject to change without notice.

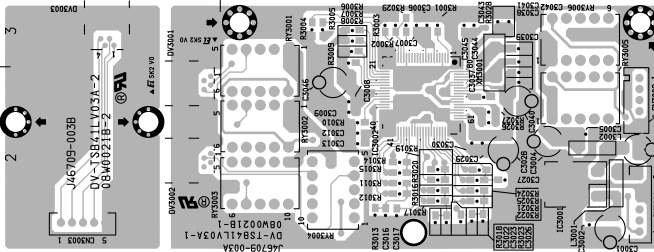
Schematic Diagrams

■ DV SECTION

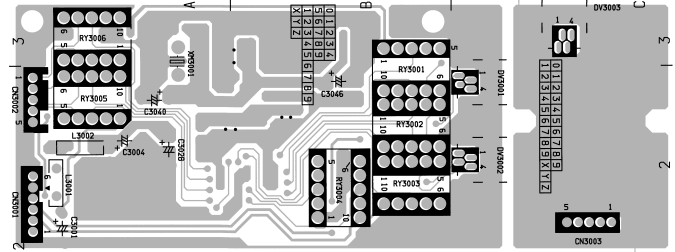


Circuit Boards

■ DV BOARD (J46709-003) PARTS SIDE



■ DV BOARD (J46709-003) SOLDER SIDE



Electric Parts List

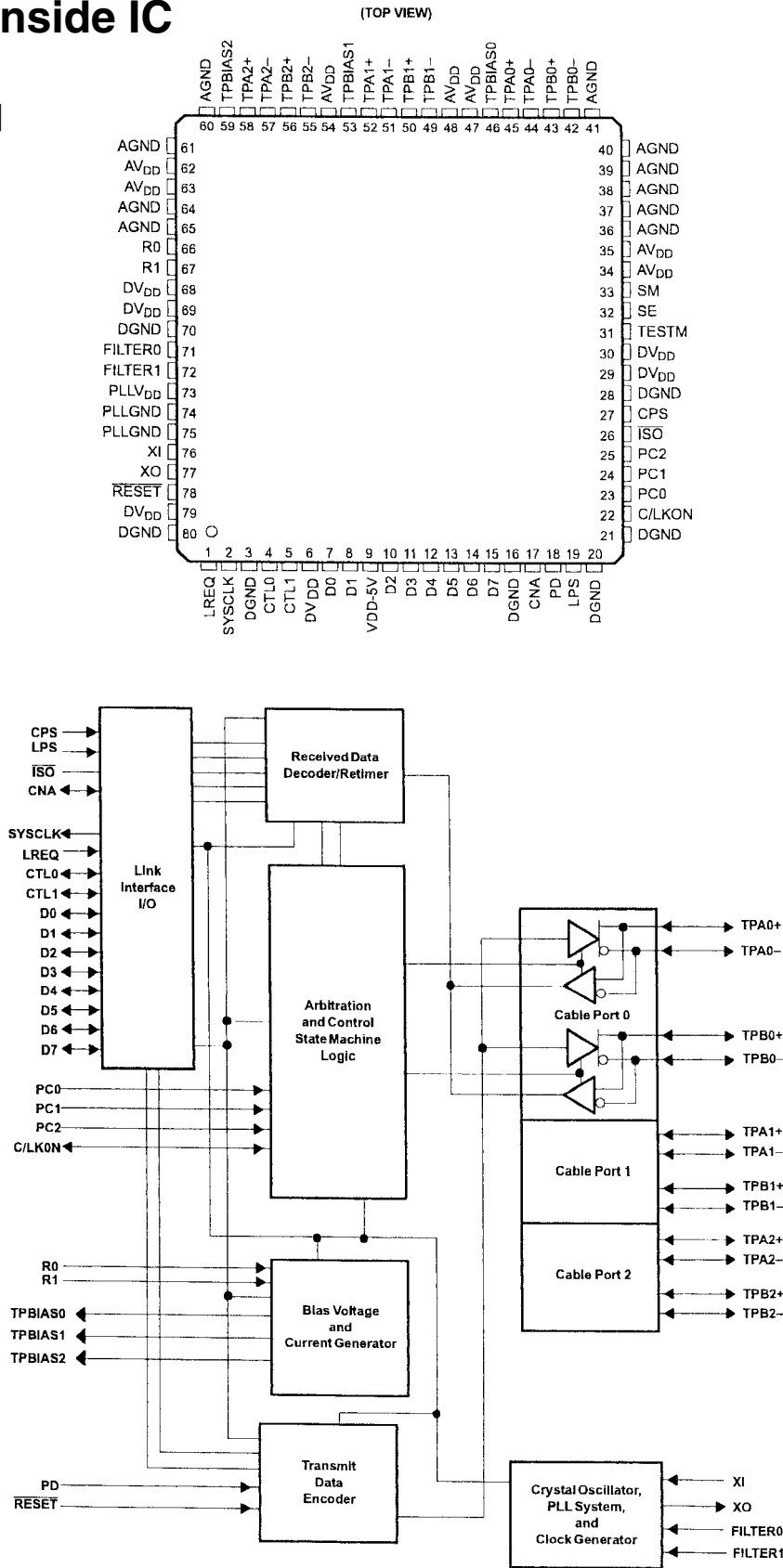
■ DV P.W. Board Ass'y

△ Ref. No.	PartsNo.	PartsName,Description	
-	J46776-003	DV Board Assembly The part will not be supplied as an assembly.	
IC3001	UPC2933T	IC	NEC
IC3002	TSB41LV03A	IC	TI
R3001	NRSA02J-102NY	M.G.Resistor	1kΩ,1/10W
R3002	NRSA02J-102NY	M.G.Resistor	1kΩ,1/10W
R3003	NRSA02J-102NY	M.G.Resistor	1kΩ,1/10W
R3004	NRSA02J-103NY	M.G.Resistor	10kΩ,1/10W
R3005	NRSA02J-103NY	M.G.Resistor	10kΩ,1/10W
R3006	NRSA02J-103NY	M.G.Resistor	10kΩ,1/10W
R3007	NRSA02J-103NY	M.G.Resistor	10kΩ,1/10W
R3008	NRSA02J-103NY	M.G.Resistor	10kΩ,1/10W
R3009	NRSA02J-394NY	M.G.Resistor	390kΩ,1/10W
R3010	NRSA02J-102NY	M.G.Resistor	1kΩ,1/10W
R3011	J46567-56R2	M.G.Resistor	56.2Ω,1/10W
R3012	J46567-56R2	M.G.Resistor	56.2Ω,1/10W
R3013	J46567-5111	M.G.Resistor	5.11kΩ,1/10W
R3014	J46567-56R2	M.G.Resistor	56.2Ω,1/10W
R3015	J46567-56R2	M.G.Resistor	56.2Ω,1/10W
R3016	J46567-56R2	M.G.Resistor	56.2Ω,1/10W
R3017	J46567-56R2	M.G.Resistor	56.2Ω,1/10W
R3018	J46567-5111	M.G.Resistor	5.11kΩ,1/10W
R3019	J46567-56R2	M.G.Resistor	56.2Ω,1/10W
R3020	J46567-56R2	M.G.Resistor	56.2Ω,1/10W
R3021	J46567-56R2	M.G.Resistor	56.2Ω,1/10W
R3022	J46567-56R2	M.G.Resistor	56.2Ω,1/10W
R3023	J46567-5111	M.G.Resistor	5.11kΩ,1/10W
R3024	J46567-56R2	M.G.Resistor	56.2Ω,1/10W
R3025	J46567-56R2	M.G.Resistor	56.2Ω,1/10W
R3026	J46567-6341	M.G.Resistor	6.34kΩ,1/10W
R3027	J46567-1004	M.G.Resistor	1MΩ,1/10W
C3001	QETB1AM-107	E.Capacitor	100uF,10V
C3002	NCB21HK-104	Cer.Capacitor	0.1uF,50V
C3003	QETB1AM-107	E.Capacitor	100uF,10V
C3004	QETB1AM-107	E.Capacitor	100uF,10V
C3005	NCB21HK-104	Cer.Capacitor	0.1uF,50V
C3006	NCB21HK-102AY	Cer.Capacitor	0.001uF,50V
C3007	NCB21HK-104	Cer.Capacitor	0.1uF,50V
C3008	NCB21HK-102AY	Cer.Capacitor	0.001uF,50V

△ Ref. No.	PartsNo.	PartsName,Description	
C3009	NCB21HK-104	Cer.Capacitor	0.1uF,50V
C3012	NCB21HK-104	Cer.Capacitor	0.1uF,50V
C3013	NCB21HK-102AY	Cer.Capacitor	0.001uF,50V
C3016	NCT21CH-221AY	Cer.Capacitor	220pF,50V
C3017	NCB21HK-105AY	Cer.Capacitor	1uF,50V
C3022	NCT21CH-221AY	Cer.Capacitor	220pF,50V
C3023	NCB21HK-105AY	Cer.Capacitor	1uF,50V
C3026	NCT21CH-221AY	Cer.Capacitor	220pF,50V
C3027	NCB21HK-105AY	Cer.Capacitor	1uF,50V
C3028	QETB1HM-106	E.Capacitor	10uF,16V
C3029	NCB21HK-102AY	Cer.Capacitor	0.001uF,50V
C3030	NCB21HK-104	Cer.Capacitor	0.1uF,50V
C3037	NCB21HK-104	Cer.Capacitor	0.1uF,50V
C3038	NCB21HK-102AY	Cer.Capacitor	0.001uF,50V
C3039	NCB21HK-104	Cer.Capacitor	0.1uF,50V
C3040	QETB1AM-107	E.Capacitor	100uF,10V
C3041	NCT21CH-100AY	Cer.Capacitor	10pF,50V
C3042	NCT21CH-100AY	Cer.Capacitor	10pF,50V
C3043	NCB21HK-104	Cer.Capacitor	0.1uF,50V
C3044	NCB21HK-102AY	Cer.Capacitor	0.001uF,50V
C3045	NCB21HK-104	Cer.Capacitor	0.1uF,50V
C3046	QETB1HM-106	E.Capacitor	10uF,16V
L3001	J46781-001	Beas	
L3002	J46781-001	Beas	
XM3001	JXC2457-600CG	Cristal	S.I
RY3001	J46775-001	Relay	NEC
RY3002	J46775-001	Relay	NEC
RY3003	J46775-001	Relay	NEC
RY3004	J46775-001	Relay	NEC
RY3005	J46775-001	Relay	NEC
RY3006	J46775-001	Relay	NEC
CN3001	J45081-001	P.W.B.Connector	
CN3003	J45085-001	P.W.B.Connector	
DV3001	J46712-001	DV-JACK	
DV3002	J46712-001	DV-JACK	
DV3003	J46712-001	DV-JACK	
JWS0105-0116	J46827-001	Conn.WireAssy	ForCN3002
		ShieldSheet	

Block View Inside IC

■ IC3002
TSB41LV03A [IT]



VICTOR COMPANY OF JAPAN, LIMITED
COMMUNICATION NETWORK BUSINESS UNIT, 1644, SHIMOTSURUMA, YAMATO-SHI, KANAGAWA-KEN, 242-8514, JAPAN